

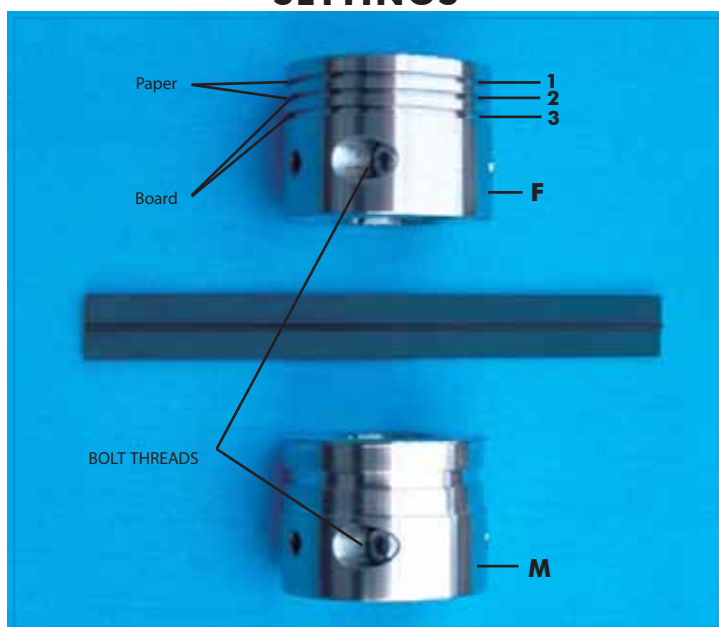
Tri-Creaser

to fit on 15mm shaft

Stock Code: TC-DEL-MG/15-FP

Shaft Size: 15mm Exit Shaft
Outer Diameter: 30mm

SETTINGS



- 1 100-170gsm
- 2 170-250gsm
- 3 250-300gsm

Female Settings 1 + 2 light matrix
orange code **(M-02-Morgana)**

Female Settings 2 + 3 heavy matrix
white code **(M-1)**

Contents of Package

1x Male Collar (M):

contains the matrix that produces the crease

1x Female Collar (F):

contains grooves in which material is pressed

5x Creasing Matrix Morgana Orange Dot (M-02-Morgana):

used to crease light to medium weight
material

5x Creasing Matrix Morgana White Dot (M-1):

used to crease heavy weight material

Spare Self-Adhesive:

used to attach matrix on to Male Collar



Tech 043